

SOLIDSVAC[®]

SOLIDS PUMPING SYSTEMS

SV-VP Vac-Pack

The Vac-Pack is a 100% compressed air powered mobile unit designed to deliver a continuous 25"Hg of vacuum with high in-line airflows. When combined with vacuum rated skips or tanks, the Vac-Pack can provide operators an economical alternative to using vac-trucks in certain applications.

- Delivers Continuous High Vacuum
- Exceptionally Low Maintenance
- Compact and Highly Mobile
- Available in 230/380/600/900/1200 CFM
- Intrinsically safe



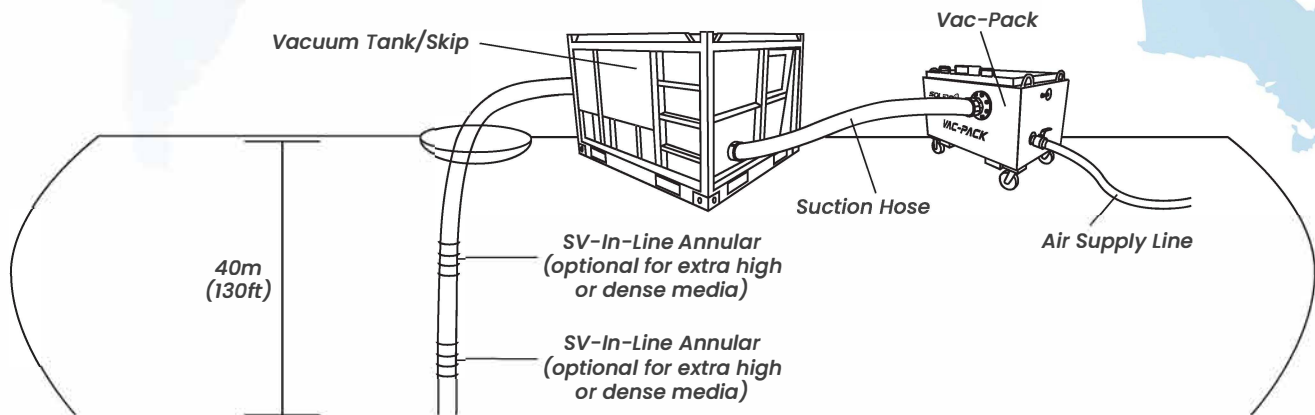
SV-VP Vac-Pack

Vac-Pack Applications

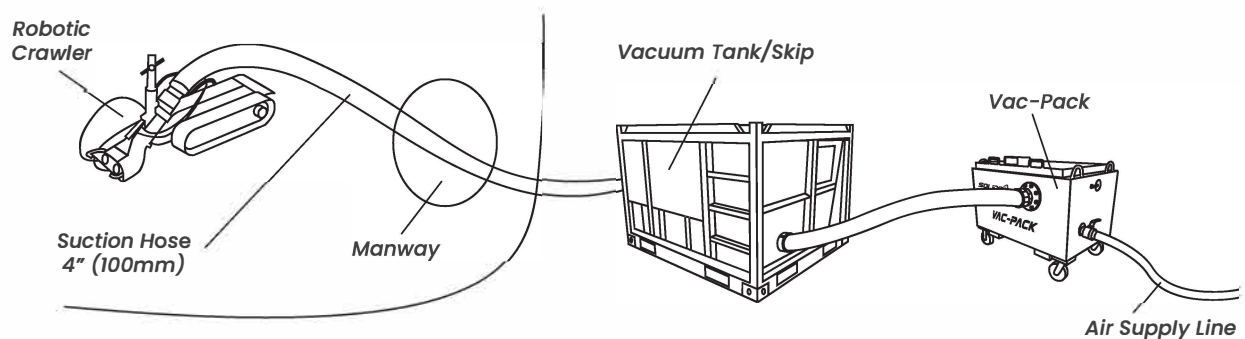


When combined with Solidsvac performance enhancing accessories, the Vac-Pack is fully capable of generating vertical lifts in excess of 40 metres. A low cost, highly productive Vac-Pack is a must for those involved in FPSO and storage tank cleaning, high volume or restricted access desludging operations.

Vac-Pack High Lift Application



Vac-Pack Robotic Crawler Application



TECHNICAL INFORMATION

	METRIC	US IMPERIAL
Length	1350 mm	53"
Width	890 mm	35"
Height	960 mm	37.7"
Weight	280 kg	617 lb
CFM Options	230/380/600/900/1200 cfm	
Vacuum	25" Hg	
DBA	85 (1 metre @ 230 cfm)	
Air Connection	2" (50mm) BSP/NPT	
Suction Inlet	4" (100mm) Camlock	

SOLIDSvac / SOLIDS PUMPING SYSTEMS

MANSOUR
CHEMICALS & COMMODITIES

Address: 2502 Elm Street | Sudbury, ON | P3E 4R6
Phone: 705-682-9900 | Email: info.mcc@mansourgroup.inc
www.mansourgroup.inc