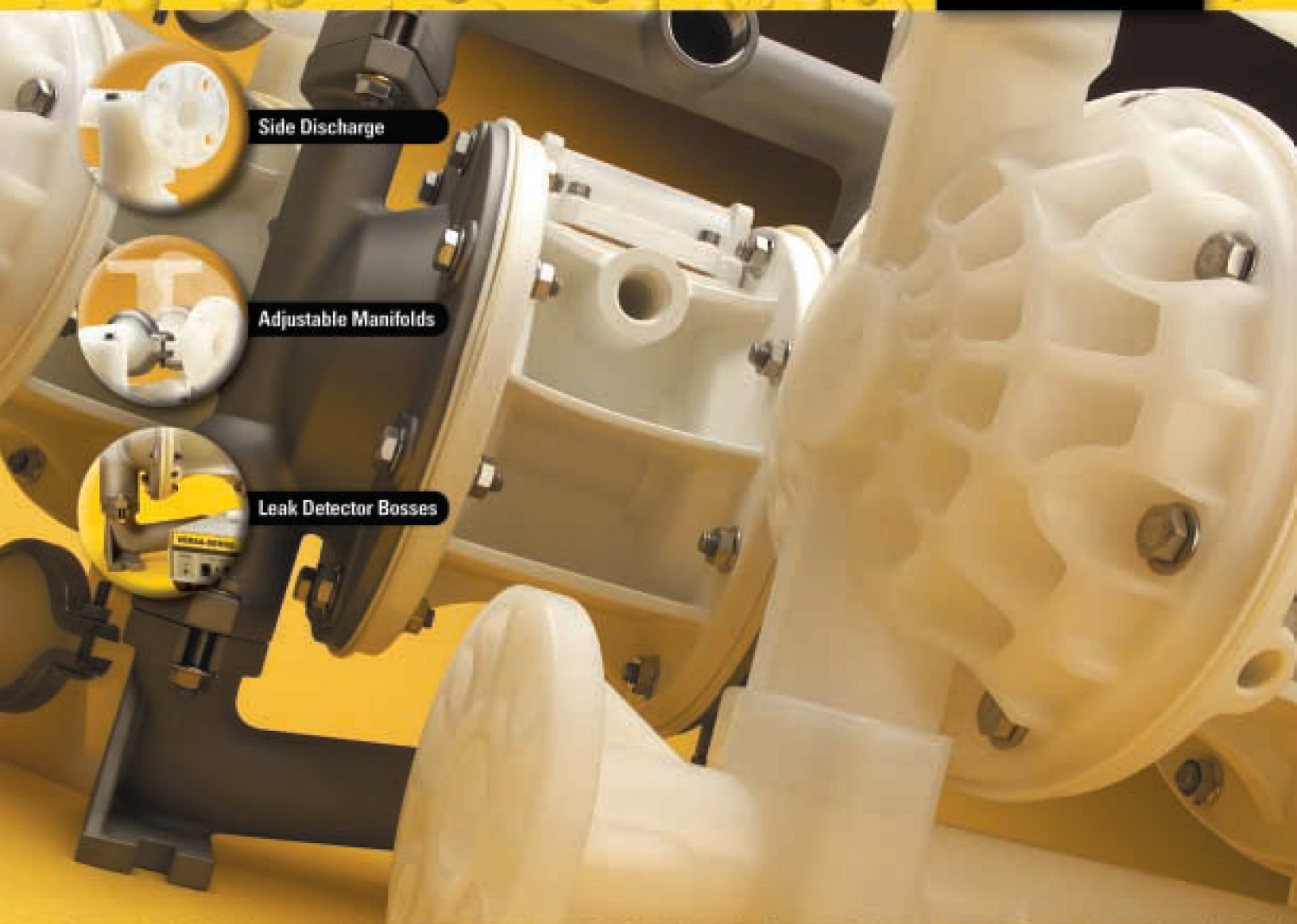
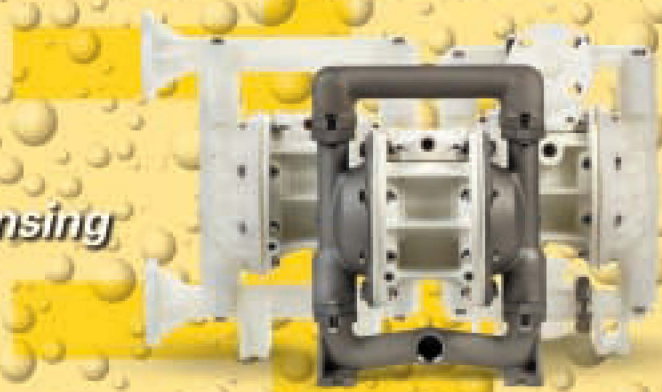


1" Bolted Pumps with Plastic Center Sections



- Ink Transfer*
- Chemical Feed*
- Small Tank Recirculation*
- Filling Operations*
- Spray Gun Transfer Applications*
- Truck and System Lubrication Dispensing*



E1 1" Bolted Pumps Now with a Plastic Center Section

Versa-Matic® Elima-Matic® E1

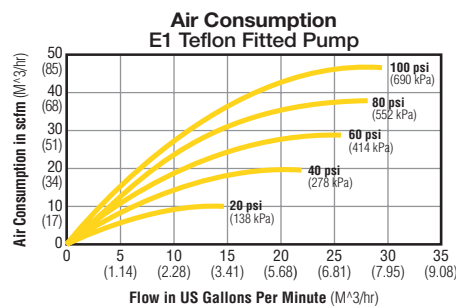
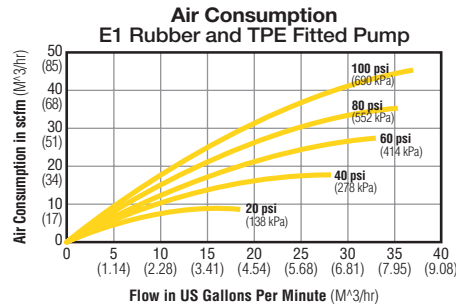
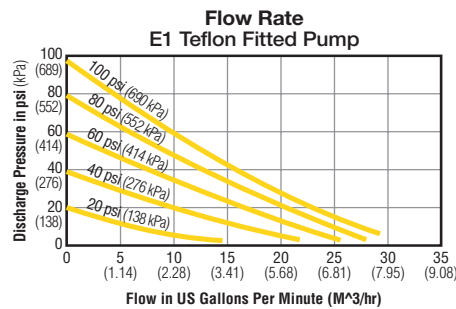
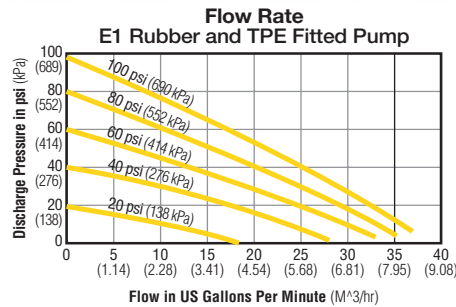
1" pumps take versatility and reliability to a new level with a redesigned center section and the next generation air valve system. Constructed of plastic, the center section **resists corrosion** from even the most aggressive chemicals, while providing **improved operation** and **ease of maintenance**.

The E1 features the Elima-Matic Air Valve System — now with the new **Shoe-Valve technology**. That means in addition to non-stalling, non-icing, lube-free operation, the E1 virtually **eliminates blow-by** when the pump is on line but not in use.

To find out more about Versa-Matic E1 pumps and accessories, contact your local distributor or visit us at www.versamatic.com.

PERFORMANCE

E1

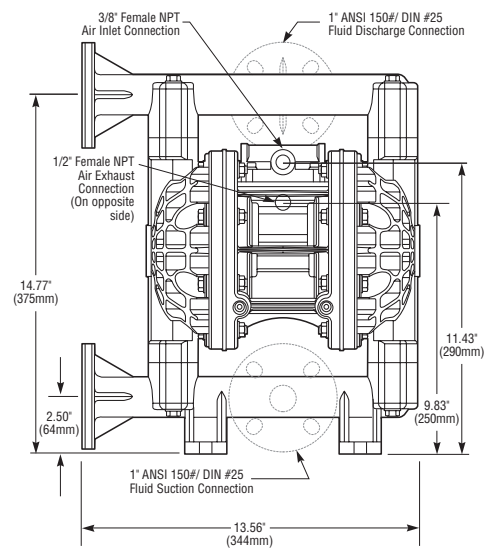


DIMENSIONS

E1

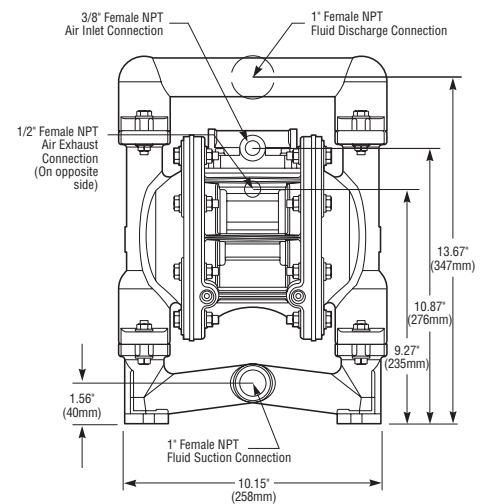
E1 Plastic Pumps

Consult factory for certified drawings



E1 Metallic Pumps

Consult factory for certified drawings



**For E1 pumps fitted with Teflon® diaphragms, reduce water discharge figures by 20%. Suction lift is reduced to 10' (3.05m) dry and 20' (6.10m) wet.*

SPECIFICATIONS

E1

	English	Metric
Flow rate		
adjustable to	0-37 gpm	0-142 lpm
Port size	1" 150# ANSI	
Inlet and Outlet	DIN #25 Flange	
Air inlet	0.375" NPTF	
Air exhaust	0.5" NPTF	
Suction lift*		
Dry (Teflon®)	15' (10')	4.57 m (3.05 m)
Wet (Teflon®)	25' (20')	7.62 m (6.09 m)
Max. particle size		
(Dia.)	0.125"	3.17 mm
Shipping weight		
Polypropylene	20.5 lbs	9.30 kg
Kynar®	21.5 lbs	9.75 kg
Aluminum	27.5 lbs	12.5 kg
Stainless Steel	38.5 lbs	17.5 kg
Hastelloy C	38.5 lbs	17.5 kg

Teflon® is a registered trademark of DuPont.

Kynar® is a registered trademark of Penwalt Corp.

MANSOUR
CHEMICALS & COMMODITIES

Address: 2502 Elm Street | Sudbury, ON | P3E 4R6
Phone: 705-682-3389 | Email: info.mcc@mansourgroup.inc
Website: www.mansourgroup.inc